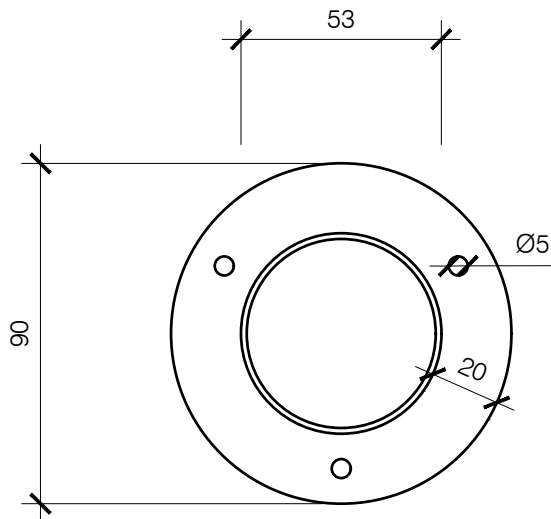


FRONT / SIDE



TOP

PRODUCT = TOP HAT BRACKET  
 SCALE = 1:2  
 DATE = 12/11/24      Drg No = 20

DRAWINGS PREPARED BY JMH DESIGN

